

## » NOVOS 3 Temp | Temp\_rH

Room temperature sensor with optional humidity

**thermokon**<sup>®</sup>  
HOME OF SENSOR TECHNOLOGY

### Datasheet

Subject to technical alteration  
Issue date: 01.02.2021 • A113

novos



With design cover (left), standard design w/o design cover (right)

### » APPLICATION

Room sensor for recording room temperature. The maintenance-free sensor creates the conditions for a pleasant indoor climate and well-being. Typical applications are schools, office buildings, hotels, cinemas or similar.

### » TYPES AVAILABLE

**Room sensor temperature – active V 0..10 V | A 4..20 mA**

NOVOS 3 Temp TRV  
NOVOS 3 Temp TRA

**Room sensor temperature + humidity – active VV 0..10 V | AA 4..20 mA**

NOVOS 3 Temp\_rH VV  
NOVOS 3 Temp\_rH AA

### » SECURITY ADVICE – CAUTION



The installation and assembly of electrical equipment should only be performed by authorized personnel.

The product should only be used for the intended application. Unauthorised modifications are prohibited! The product must not be used in relation with any equipment that in case of a failure may threaten, directly or indirectly, human health or life or result in danger to human beings, animals or assets. Ensure all power is disconnected before installing. Do not connect to live/operating equipment.

Please comply with

- Local laws, health & safety regulations, technical standards and regulations
- Condition of the device at the time of installation, to ensure safe installation
- This data sheet and installation manual

## » NOTES ON DISPOSAL



As a component of a large-scale fixed installation, Thermokon products are intended to be used permanently as part of a building or a structure at a pre-defined and dedicated location, hence the Waste Electrical and Electronic Act (WEEE) is not applicable. However, most of the products may contain valuable materials that should be recycled and not disposed of as domestic waste. Please note the relevant regulations for local disposal.

## » REMARKS TO ROOM SENSORS

### Location and Accuracy of Room Sensors

The room sensor should be mounted in a suitable location for measuring accurate room temperature. The accuracy of the temperature measurement also depends directly on the temperature dynamics of the wall. It is important, that the back plate is completely flush to the wall so that the circulation of air occurs through the vents in the cover. Otherwise, deviations in temperature measurement will occur due to uncontrolled air circulation. Also the temperature sensor should not be covered by furniture or similar devices. Mounting next to doors (due to draught) or windows (due to colder outside wall) should be avoided. The temperature dynamics of the wall will influence the temperature measurement. Various wall types (brick, concrete, dividing and hollow brickwork) all have different behaviours with regards to thermal variations.

### Surface and Flush Mounting

The temperature dynamics of the wall influence the measurement result of the sensor. Various wall types (brick, concrete, dividing and hollow brickwork) have different behaviours with regard to thermal variations. A solid concrete wall responds to thermal fluctuations within a room in a much slower way than a light-weight structure wall. Room temperature sensors installed in flush boxes have a longer response time to thermal variations. In extreme cases they detect the radiant heat of the wall even if the air temperature in the room is lower for example. The quicker the dynamics of the wall (temperature acceptance of the wall) or the longer the selected inquiry interval of the temperature sensor is the smaller the deviations limited in time are.

## » BUILD-UP OF SELF-HEATING BY ELECTRICAL DISSIPATIVE POWER

Temperature sensors with electronic components always have a dissipative power, which affects the temperature measurement of the ambient air. The dissipation in active temperature sensors shows a linear increase with rising operating voltage. This dissipative power has to be considered when measuring temperature. In case of a fixed operating voltage ( $\pm 0,2$  V) this is normally done by adding or reducing a constant offset value. As Thermokon transducers work with a variable operating voltage, only one operating voltage can be taken into consideration, for reasons of production engineering. Transducers 0..10 V / 4..20 mA have a standard setting at an operating voltage of 24 V =. That means, that at this voltage, the expected measuring error of the output signal will be the least. For other operating voltages, the offset error will be increased by a changing power loss of the sensor electronics. If a re-calibration should become necessary later directly on the sensor, this can be done by means of the NOVOSapp software and an optional Bluetooth interface. (additionally with sensors with BUS interface via an appropriate software variable).

**Remark: Occurring draft leads to a better carrying-off of dissipative power at the sensor. Thus temporally limited fluctuations might occur upon temperature measurement.**

## » APPLICATION NOTICE FOR HUMIDITY SENSORS

Refrain from touching the sensitive humidity sensor/element. Touching the sensitive surface will void warranty.

For standard environmental conditions re-calibration is recommended once a year to maintain the specified accuracy.

When exposed to high ambient temperature and/or high levels of humidity or presence of aggressive gases (i.e. chlorine, ozone, ammonia) the sensor element may be affected and re-calibration may be required sooner than specified. Re-calibration and deterioration of the humidity sensor due to environmental conditions are not subject of the general warranty.

» TECHNICAL DATA

<b>Measuring values</b> (type-dependent)	temperature, humidity			
<b>Output voltage</b> (type-dependent)	<b>TRV   VV</b> 1x/2x 0..10 V or 0..5 V, min load 10 kΩ (live-zero configuration 1..10/2..10 V) configurable via Thermokon NOVOSapp			
<b>Output Amp</b> (type-dependent)	<b>TRA   AA</b> 1x/2x 4..20 mA, max. load 500 Ω			
<b>Power supply</b> (type-dependent)	<b>TRV   VV</b> 15..35 V = or 19..29 V ~ SELV		<b>TRA   AA</b> 15..35 V = SELV	
<b>Power consumption</b> (type-dependent)	<b>TRV   VV</b> typ. 0,4 W (24 V =)   0,8 VA (24 V ~)		<b>TRA   AA</b> max. 0,5 W / 24 V =	
<b>Measuring range humidity</b> (type-dependent)	<b>relative humidity</b> (default) 0..100% rH	<b>Enthalpy</b> 0..85 KJ/kg	<b>absolute humidity</b> 0..50   0..80 g/m³,	<b>dew point</b> 0..+50   -20..+80 °C,
optional configurable via Thermokon NOVOSapp				
<b>Output signal range temp.</b> *scaling analogue output	0..+50 °C (default setting), selectable from 4 temperature ranges -50..+50   0..+50   -15..+35   -20..+80 °C configurable via NOVOSapp			
<b>Accuracy temperature</b>	±0,5K (typ. at 21 °C)			
<b>Accuracy humidity</b> (type-dependent)	±2% between 10..90% rH (typ. at 21 °C)			
<b>Enclosure</b>	PC V0, pure white, design cover (optional)			
<b>Protection</b>	IP20 according to DIN EN 60529			
<b>Cable entry</b>	rear entry, breaking points bottom, drill mark top			
<b>Connection electrical</b>	tool-free mountable spring terminal, max. 1,5 mm²			
<b>Ambient condition</b>	-35..+70 °C, max. 85% non-condensing			
<b>Mounting</b>	surface mounted on flush-mounting box (Ø=60 mm) or to be mounted flat onto the surface using screws, base part can be mounted and wired separately			
<b>Notes</b>	configurable via NOVOSapp			

» PRODUCT TESTING AND CERTIFICATION





**Declaration of conformity**

The declaration of conformity of the products can be found on our website <https://www.thermokon.de/>.



» CONNECTION PLAN

The following connection diagrams show the assignment of measuring values to analog outputs in factory default. Output variables reconfigurable via Thermokon NOVOSapp.

**Room sensor temperature – active TRV 0..10 V | TRA 4..20 mA**

NOVOS 3 Temp TRV MultiRange	NOVOS 3 Temp TRA MultiRange
 <p>                      —AOU1—  Temperature   0..10 V                       —GND—  0 V ⊥                       —UB+—  15..35 V = oder 19..29 V ~                 </p>	 <p>                      —AOI1—  Temperature   4..20 mA                       —UB+—  15..35 V =                 </p>

**Room sensor temperature + humidity – active VV 0..10 V | AA 4..20 mA**

NOVOS 3 Temp_rH VV MultiRange	NOVOS 3 Temp_rH AA MultiRange
 <ul style="list-style-type: none"> <li> —AOU2—  Temperature   0..10 V</li> <li> —AOU1—  Humidity   0..10 V</li> <li> —GND—  ⊥</li> <li> —UB+—  15..35 V = or 19..29 V ~</li> </ul>	 <ul style="list-style-type: none"> <li> —AOI2—  Temperature   4..20 mA</li> <li> —AOI1—  Humidity   4..20 mA</li> <li> —UB+—  15..35 V = or 19..29 V ~</li> </ul>

**» MOUNTING ADVICES**

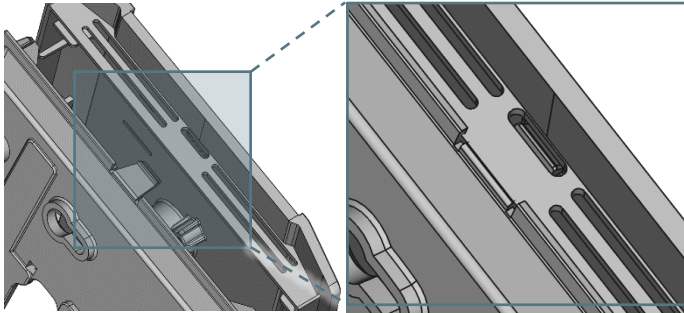
Please make sure that the device is de-energized if you want to install it!

The installation can be performed on the flat wall surface or on a flush-mounted box. A representative place should be selected. Sunshine and draft, e.g. in the installation tube should be avoided, so that the measurement result is not falsified. Seal the end of the installation tube.

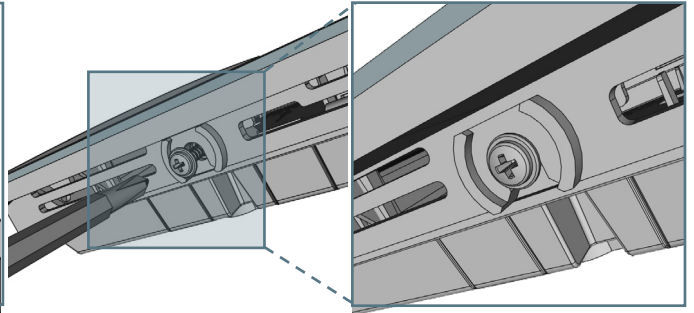
- For wiring, the upper part of the device must be removed from the base plate. Base plate and upper part are detachably connected to each other by means of locking lugs.
- The mounting of the base plate on the flat wall surface is done with rawplugs and screws.
- Finally, the device is attached to the base plate and fixed with the screw.

**Housing open / close**

**Snap the upper part of the housing into the locking lug on the upper side**

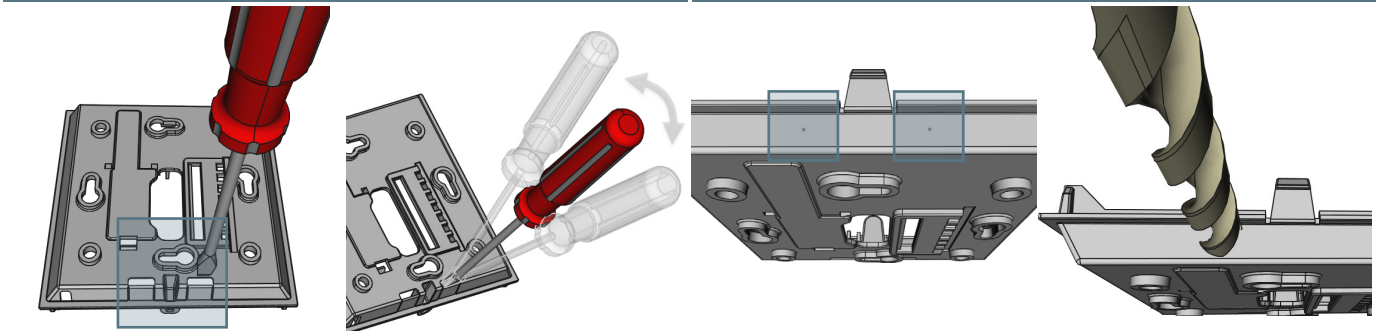


**Fix the upper part of the housing on the underside with the screw**

**Cable entry**

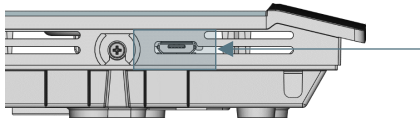
**There are predetermined breaking points for 2 optional cable entries on the underside of the base plate**

**On the upper side of the base plate there are 2 grits as position for a drill hole max. Ø 6 mm**



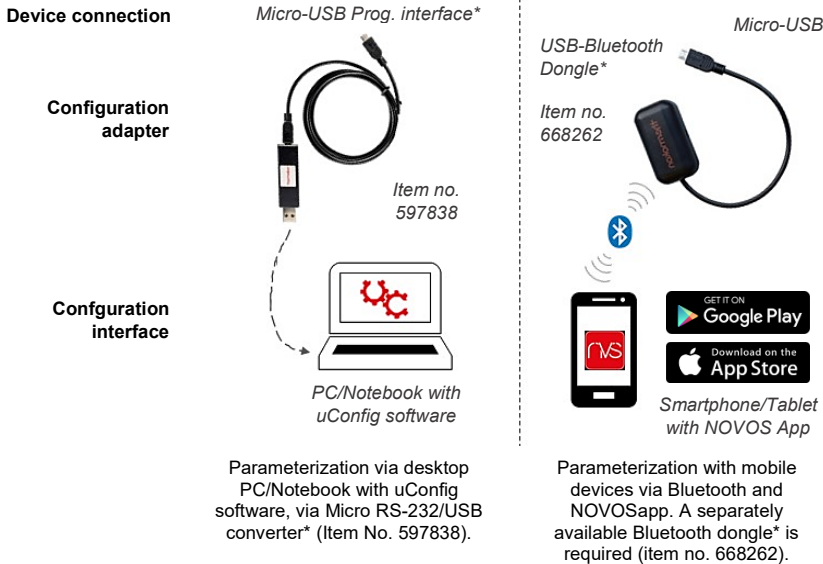
When using a drill, you should absolutely ensure that the base plate is firmly clamped. Before drilling, the pressure must be reduced and carefully drilled. A sudden break-through of the drill bit can be the result.

» CONFIGURATION



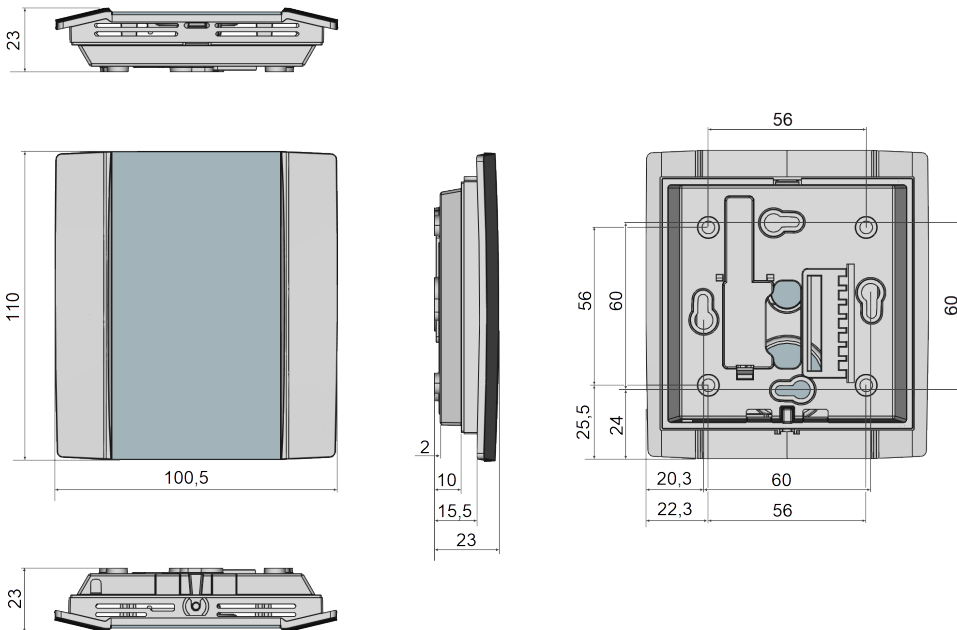
Position of the micro USB port, see bottom of the device, for configuration with Bluetooth dongle or Micro-USB programming interface

The configuration is performed in powered state. The following options are available for configuring the device:



\*Commercially available Bluetooth dongles or USB to Micro-USB adapter cables are not compatible. You need a mobile device that supports at least Bluetooth version 4.1. The configuration app with the corresponding instructions can be downloaded from the Google Play Store or the Apple App Store.

» DIMENSIONS (MM)



» ACCESSORIES (OPTIONAL)

- Rawplugs and screws (2 pcs. each)
- Frame for surface mounting NOVOS 3
- Bluetooth dongle
- PSU-UP24 – flush mount power supply 24 V (AC Input: 100..240 V ~ | DC Output 24 V = 0,5 A)
- Programming interface, USB – Micro-USB

- Item No. 102209
- Item No. 111584
- Item No. 668262
- Item No. 645737
- Item No. 597838